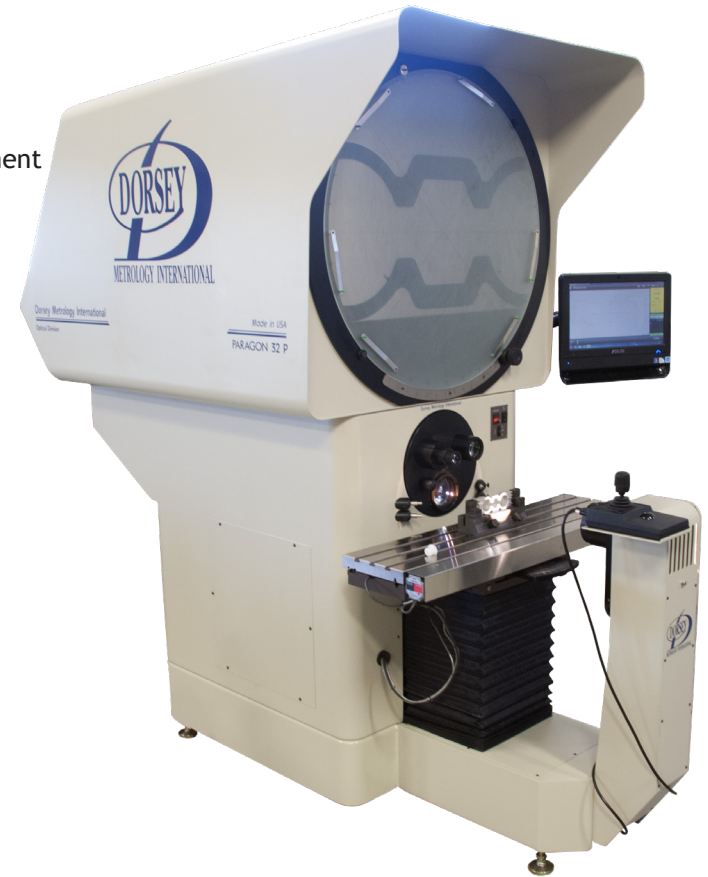


MODEL 32P HORIZONTAL BEAM

The 32P was designed with crisp, clear telecentric optics and a precision solid cast iron stage to be an instrument capable of handling almost any measurement/inspection requirement. This welded steel fabrication assures years of accurate, trouble free service.

FEATURES:

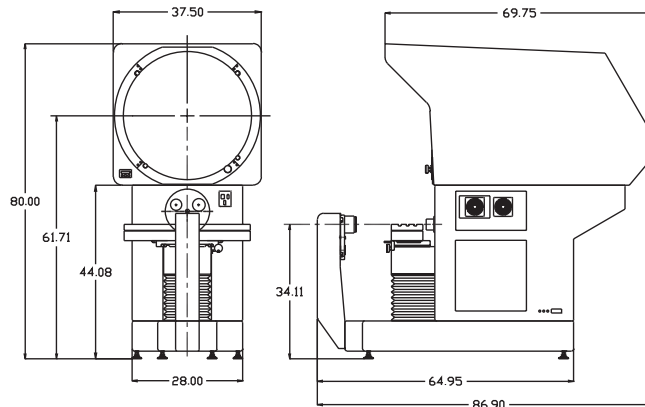
- 32" (800mm) Vertical screen for optimum viewing
- Erect and reversed profile image
- Precision ground glass screen with calibration reticle, 90 degree cross lines
- Machined chart ring with vernier protractor, chart clips, 1 minute graduation facilitates optimal alignment
- Coated telecentric parfocal optics
- 3 position rotary lens & condenser turret
- Dimmable LED profile light sources
- Dual LED fiber optic surface illumination
- Linear Scale Resolution 0.1 μm / .000004"
- Machine precision solid cast iron, nickel plated stage
 - Triple universal dovetails accommodate a wide range of fixtures
 - 36" x 8" (914x200mm) Overall size
 - Solid crossed roller stage bearings
 - 500 lbs capacity
 - 24" (610 mm) X-axis motorized travel
 - 10" (250mm) Y-axis motorized travel
 - 3" Motorized focus axis
 - ± 15 Degree true parfocal helix stage adjustment with 5 minute vernier
 - Joystick control, computerized microstep motor controller with X and Y axes & focus
- Integrated hood visor
- NIST traceable calibration certificate
- 2 Year limited warranty



OPTIONAL FEATURES:

- Internal edge detection
- Output for electronic rotary screen protractor (Q-axis) on readout with selectable between DMS (degree-minute-second) and DD (decimal-degrees) of a degree resolution
- Q axis accuracy of +/- 0.5 degrees
- Choice of readout options, see page 90
- CNC computer controlled readout systems
- Harsh Environment Package
- Extended hood & curtains
- Wide selection of lenses
- Tooling

DIMENSIONS



| Technical Specification | |
|---------------------------|--|
| Illumination | Profile: Dimmable LED Surface: LED |
| Screen Size | 32" (800mm) Ground glass with cross-lines |
| Stage | Cast iron, nickel plated, 36" x 8", triple dovetail |
| Stage Travel | X = 24" (610mm), Motorized Y = 10" (250mm), Motorized Focus = 3" (75mm), Motorized |
| Stage Accuracy | Within +/- 0.004mm +[(L/20).001] |
| Linear Scale Resolution | Standard: 0.1 μm / .000004" |
| Repeatability of Scales | +/- 1 Scale count (0.1 μm / .000004") |
| Coated Telecentric Lenses | 10x, 20x, 50x |
| Optical Accuracy | Within +/- .10% Profile, +/- .15% Surface |
| Power Requirements | 120V or 240V AC, 50/60 Hz, 10 Amp |
| Weight | 3950 lbs / 1792 kg |